

RGBCW LED Remote Controller

- Featuring a streamlined design with magnetic attachment, it is powered by two AAA batteries;
- Features 2.4 GHz RF wireless transmission with stable signal transmission and strong anti-interference capabilities, supporting multi-zone synchronized dimming;
- Compatible with P-series controllers;
- Supports zone control with two options: 4-zone and 8-zone configurations;
- Equipped with a dedicated on/off button for one-touch control of the lights;
- Quick color adjustment via touch color ring, with independent R/G/B/CCT channel control for precise color tuning.
- Pre-stored 9 dynamic and 7 static lighting modes, supporting customized programming of dynamic modes.
- Comes with 4 preset scene modes that can be quickly accessed; you can also save custom scenes by holding down the button;
- A single remote control can be used with multiple controllers, and a single controller can be paired with up to 10 remote controls;
- Supports synchronized dimming across controller groups.



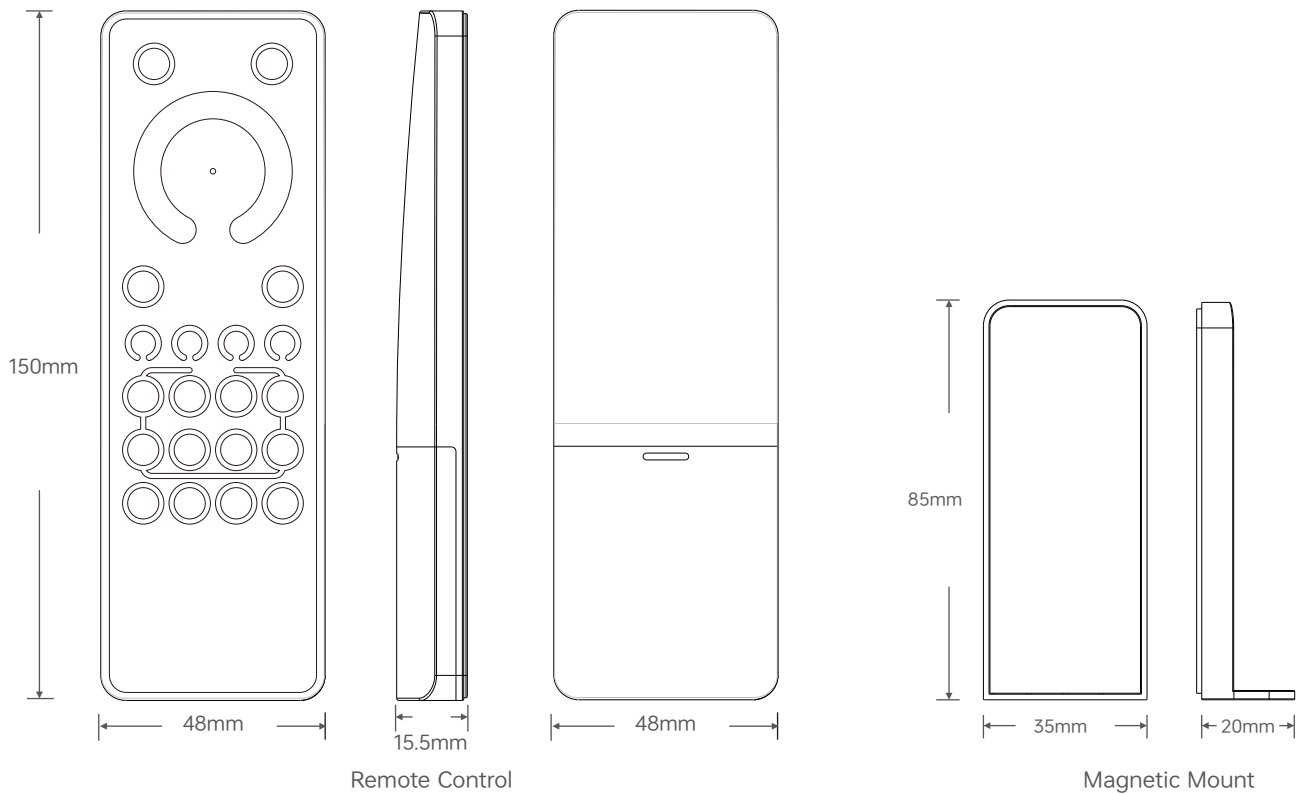
C5F

C5E

Technical Specifications

Model	C5F	C5E
Area Control	Zone 4	Zone 8
Dimming Type	RGBCW	
Wireless Type	RF 2.4GHz	
Operating Voltage	3Vdc, AAA batteries × 2 Note: Batteries are sold separately.	
Standby Current	< 5uA	
Compatible Controllers	P5	
Operating Temperature	-25°C~50°C	
Product Weight	Remote control: 62 g; Mount: 12 g	
Dimensions	Remote control: L150 × W48 × H15.5 mm; Mount: L85 × W35 × H20 mm	

Dimensions

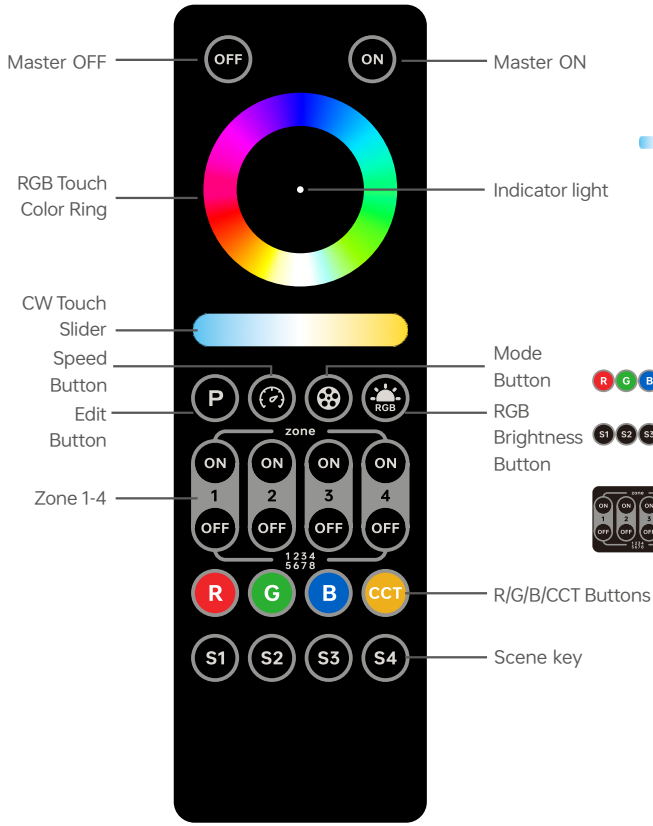


Product Installation

- ① Open the battery compartment on the remote control and insert two AAA batteries, making sure to insert them with the correct polarity.
- ② Peel off the protective film from the included double-sided tape, attach the magnetic mount to the wall, and press firmly to secure it (let it sit for 24 hours to ensure a secure bond before placing the remote control on it to prevent it from falling off).
- ③ Attach the remote control to the magnetic mount to complete the installation.



Functions of the 4-Zone Buttons



C5F

Function Key Usage:

- ON Button:** Press briefly to turn on all lights; press and hold for 2 seconds to enter the pairing mode.
- OFF Button:** Press briefly to turn off all lights.
- RGB Touch Color Ring:** Touch to adjust the color of the selected zone.
- CW Touch Slider:** Touch to adjust the color temperature of the selected zone.
- Speed Button:** Short press to adjust speed between levels 1-8; long press to incrementally increase or decrease speed. There are 8 adjustable levels in total, with level 5 as the default.
- Edit Button:** Short press to cycle through dynamic modes; long press to enter dynamic mode editing.
- Mode Button:** Short press to cycle through 9 dynamic modes and 7 static modes; long press to auto-play all dynamic modes.
- RGB Brightness Button:** Press briefly to turn RGB brightness on or off; press and hold to continuously adjust RGB brightness.
- R/G/B/CCT Buttons:** Press briefly to enable or disable the R/G/B/CCT channels; press and hold to adjust the brightness of the R/G/B/CCT channels.
- Scene Button:** Press briefly to recall a scene; press and hold for 2 seconds to save the current lighting state to a scene, accompanied by the indicator light flashing red twice.

Zone 1-4 Buttons:

- ① Press the Zone ON button briefly to select and turn on the lights in the current zone; press the Zone OFF button briefly to turn off the lights in the current zone.
- ② Rapidly press the ON buttons for multiple zones in succession to select them simultaneously. You can then control the selected zones in sync. (Note: If you press any button for a zone that is already part of a multi-zone selection, only that zone will remain selected.)
- ③ After the remote control enters sleep mode, it retains the zone selections made before sleep.

Indicator light: The indicator light changes in sync with adjustments to color and brightness.

- Note:**
- ① If the indicator light on the remote control does not light up when a button is pressed, the batteries may be dead. Please replace the batteries promptly.
 - ② If no buttons are pressed for 6 seconds, the remote control will enter sleep mode. Press any button to wake it up.

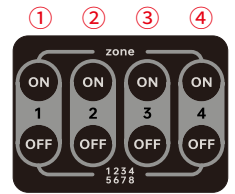
How to Use Edit Mode: (Select Dynamic Mode → Go to Edit → Select colors one by one → Choose Dynamic Effect → Save and Exit)

Step 1: Select a Mode: Briefly press the Mode button to select the dynamic mode you want to customize.

Step 2: Enter Edit Mode: Press and hold the Edit button until the indicator light flashes green slowly, indicating that you have entered edit mode.

Step 3: Select Colors: Touch the color ring or RGB buttons to select a color, then press and hold one of the numbered buttons 1-8 at the bottom to save the currently selected color (as shown in the image on the right). Use the same method to select colors for other buttons (if a button has not been assigned a color previously, it defaults to black; if a color is assigned to a button that has not been set, the change will not take effect).

Step 4: Select dynamic effects: Briefly press the Edit button to cycle through four dynamic effects for the selected color (fade, jump, strobe, and fade in/out).



Example 1: 1-Red, 2-Green, 3-Blue, 4-Yellow, 5-Purple, 6-Cyan, 7-White, 8-Null
 Red, Green, Blue, Yellow, Purple, Cyan, White → 7-color gradient

Example 2: 1-Red, 2-Blue, 3-Null, 4-Null, 5-Null, 6-Null, 7-Null, 8-Null
 Red and Blue → 2-color Fade

Example 3: 1-Red, 2-Black, 3-Green, 4-Black, 5-Blue, 6-Null, 7-Null, 8-Null
 Red, Black, Green, Black, Blue → 3-color strobe

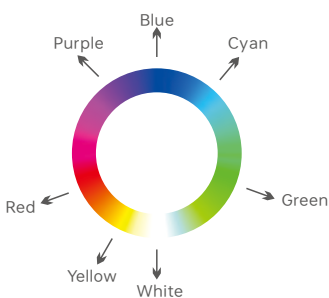
Example 4: 1-Black, 2-Red, 3-Black, 4-Green, 5-Black, 6-Blue, 7-Null, 8-Null
 Black, Red, Black, Green, Black, Blue → 3 colors, fading in and out

Note: R + B = purple, R + G = yellow, G + B = cyan, R + G + B = white, R, G, and B all off = black.

Step 5: Save and Exit: Press and hold the Edit button to save the current custom settings and replace the selected dynamic mode. This will also exit edit mode, and the green indicator light will turn off.

To reset the dynamic modes: Press and hold the "Mode" and "Edit" buttons on the remote control simultaneously for about 6 seconds. The indicator light will begin to pulse green until it flashes twice, indicating that all dynamic modes have been successfully reset.

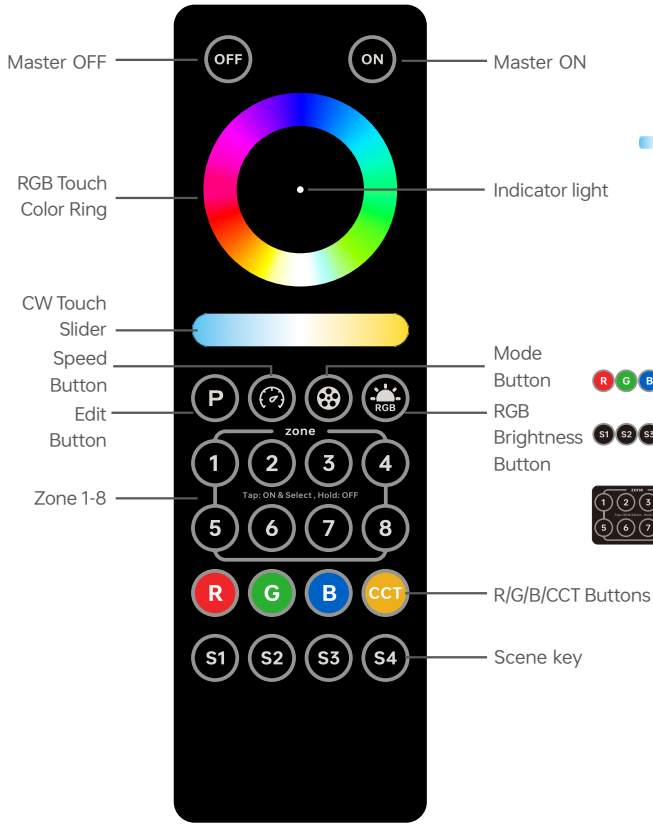
Note: In edit mode, press and hold the mode button to exit edit mode without saving the current animation.



Color	R/G/B values
Red	R100% G0% B0%
Yellow	R100% G100% B0%
Green	R0% G100% B0%
Cyan	R0% G100% B100%
Blue	R0% G0% B100%
Purple	R100% G0% B100%
White	R100% G100% B100%

Preset Dynamic mode	Static mode	
	Mode Number	Color
1	10	Red
2	11	Green
3	12	Blue
4	13	Yellow
5	14	Purple
6	15	Cyan
7	16	Mixed light white
8		
9		

Functions of the 8-Zone Buttons



Function Key Usage:

- ON Button:** Press briefly to turn on all lights; press and hold for 2 seconds to enter the pairing mode.
- OFF Button:** Press briefly to turn off all lights.
- RGB Touch Color Ring:** Touch to adjust the color of the selected zone.
- CW Touch Slider:** Touch to adjust the color temperature of the selected zone.
- Speed Button:** Short press to adjust speed between levels 1-8; long press to incrementally increase or decrease speed. There are 8 adjustable levels in total, with level 5 as the default.
- Edit Button:** Short press to cycle through dynamic modes; long press to enter dynamic mode editing.
- Mode Button:** Short press to cycle through 9 dynamic modes and 7 static modes; long press to auto-play all dynamic modes.
- RGB Brightness Button:** Press briefly to turn RGB brightness on or off; press and hold to continuously adjust RGB brightness.
- R/G/B/CCT Buttons:** Press briefly to enable or disable the R/G/B/CCT channels; press and hold to adjust the brightness of the R/G/B/CCT channels.
- Scene Button:** Press briefly to recall a scene; press and hold for 2 seconds to save the current lighting state to a scene, accompanied by the indicator light flashing red twice.



Zone 1-8 Buttons:

- ① Press the Zone ON button briefly to select and turn on the lights in the current zone; press the Zone OFF button briefly to turn off the lights in the current zone.
- ② Rapidly press the ON buttons for multiple zones in succession to select them simultaneously. You can then control the selected zones in sync. (Note: If you press any button for a zone that is already part of a multi-zone selection, only that zone will remain selected.)
- ③ After the remote control enters sleep mode, it retains the zone selections made before sleep.

Indicator light: The indicator light changes in sync with adjustments to color and brightness.

- Note:**
- ① If the indicator light on the remote control does not light up when a button is pressed, the batteries may be dead. Please replace the batteries promptly.
 - ② If no buttons are pressed for 6 seconds, the remote control will enter sleep mode. Press any button to wake it up.

C5E

How to Use Edit Mode:

(Select Dynamic Mode → Go to Edit → Select colors one by one → Choose Dynamic Effect → Save and Exit)

Step 1: Select a Mode: Briefly press the Mode button (gear icon) to select the dynamic mode you want to customize.

Step 2: Enter Edit Mode: Press and hold the Edit button (P) until the indicator light flashes green slowly, indicating that you have entered edit mode.

Step 3: Select Colors: Touch the color ring or RGB buttons (R, G, B) to select a color, then press and hold the 1-8 zone buttons to temporarily save the currently selected color (as shown in the image on the right). Use the same method to select colors for other buttons (if a button has not been assigned a color previously, it defaults to black; if a color is assigned to a button that has not been set, the change will not take effect).

Step 4: Select dynamic effects: Briefly press the Edit button (P) to cycle through four dynamic effects for the selected color (fade, jump, strobe, and fade in/out).



Example 1: ① Red ② Green ③ Blue ④ Yellow ⑤ Purple ⑥ Cyan ⑦ White ⑧ Null
 Red, Green, Blue, Yellow, Purple, Cyan, White → 7-color gradient

Example 2: ① Red ② Blue ③ Null ④ Null ⑤ Null ⑥ Null ⑦ Null ⑧ Null
 Red and Blue → 2-color Fade

Example 3: ① Red ② Black ③ Green ④ Black ⑤ Blue ⑥ Null ⑦ Null ⑧ Null
 Red, Black, Green, Black, Blue → 3-color strobe

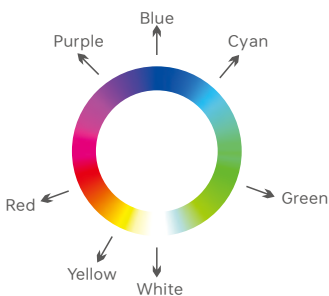
Example 4: ① Black ② Red ③ Black ④ Green ⑤ Black ⑥ Blue ⑦ Null ⑧ Null
 Black, Red, Black, Green, Black, Blue → 3 colors, fading in and out

Note: R + B = purple, R + G = yellow, G + B = cyan, R + G + B = white, R, G, and B all off = black.

Step 5: Save and Exit: Press and hold the Edit button (P) to save the current custom settings and replace the selected dynamic mode. This will also exit edit mode, and the green indicator light will turn off.

To reset the dynamic modes: Press and hold the "Mode" and "Edit" buttons on the remote control simultaneously for about 6 seconds. The indicator light will begin to pulse green until it flashes twice, indicating that all dynamic modes have been successfully reset.

Note: In edit mode, press and hold the mode button to exit edit mode without saving the current animation.



Color	R/G/B values
Red	R100% G0% B0%
Yellow	R100% G100% B0%
Green	R0% G100% B0%
Cyan	R0% G100% B100%
Blue	R0% G0% B100%
Purple	R100% G0% B100%
White	R100% G100% B100%

Preset Dynamic mode	Static mode	
	Mode	Color
1	10	Red
2	11	Green
3	12	Blue
4	13	Yellow
5	14	Purple
6	15	Cyan
7	16	Mixed light white
8		
9		

Wiring Diagram for the 4-Zone Remote Control



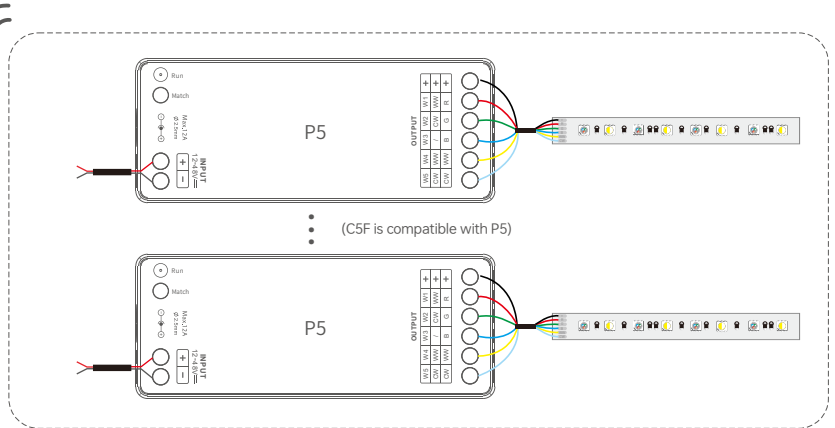
C5F

⋮



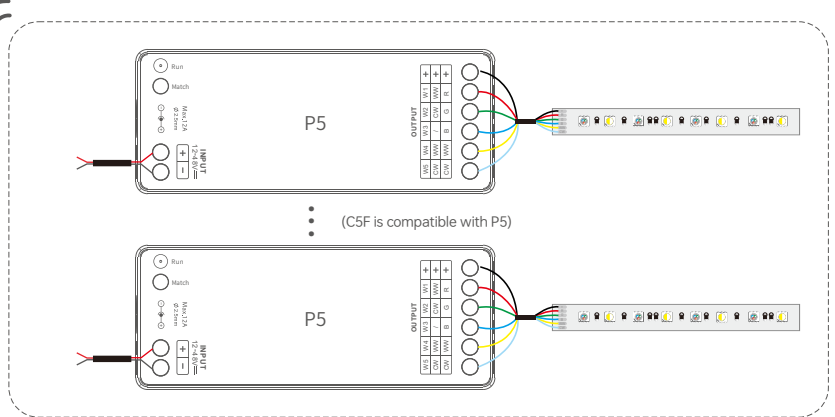
C5F

1 Zone



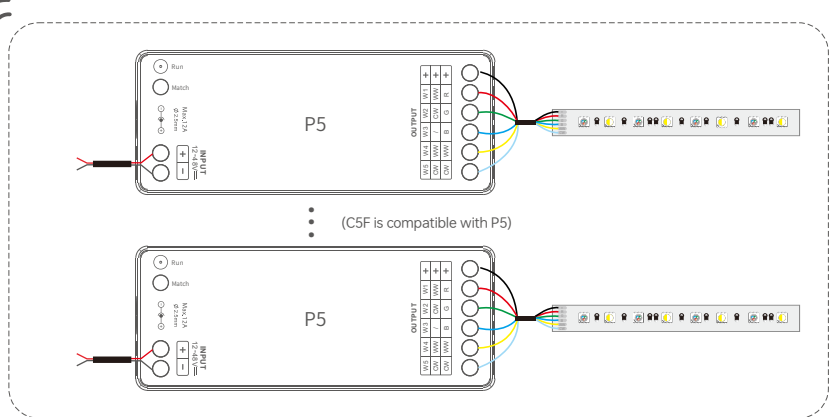
(C5F is compatible with P5)

2 Zone



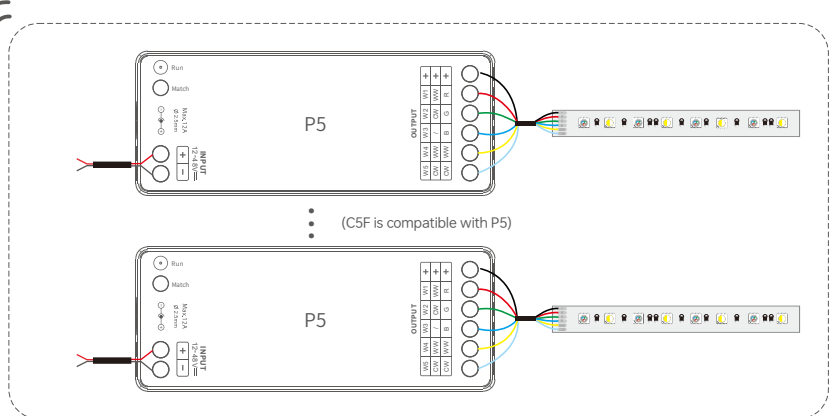
(C5F is compatible with P5)

3 Zone



(C5F is compatible with P5)

4 Zone



(C5F is compatible with P5)

*Compatible with up to 10 remote controls

Wiring Diagram for the 8-Zone Remote Control



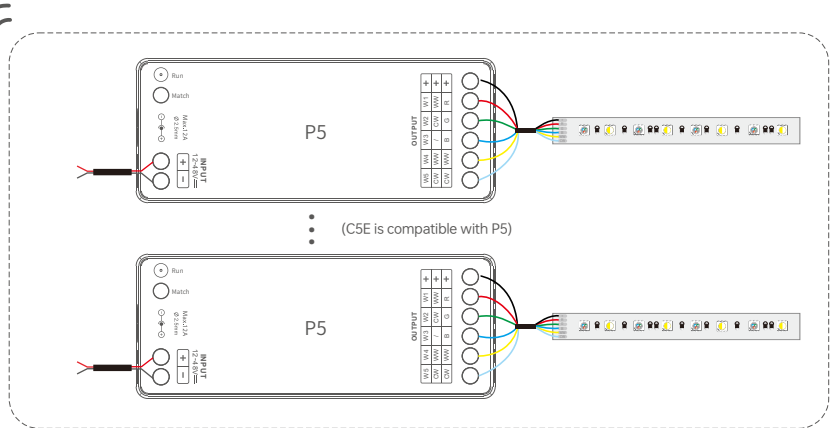
C5E

⋮



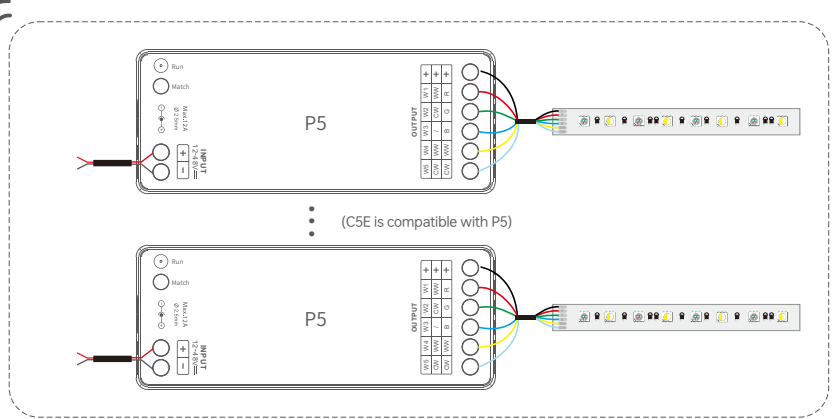
C5E

1 Zone



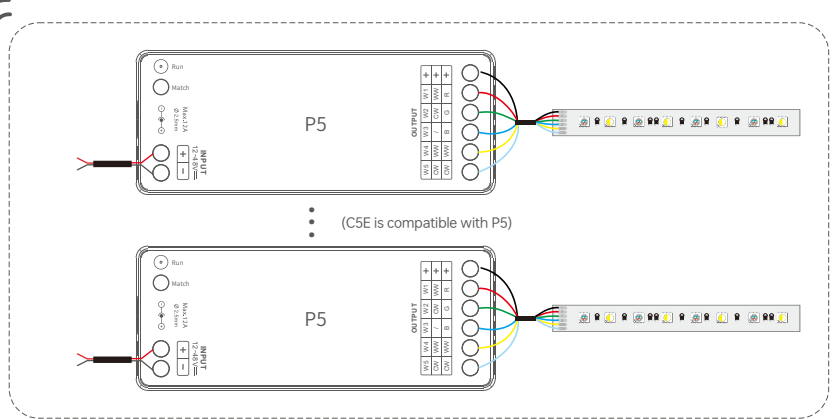
⋮ (C5E is compatible with P5)

2 Zone



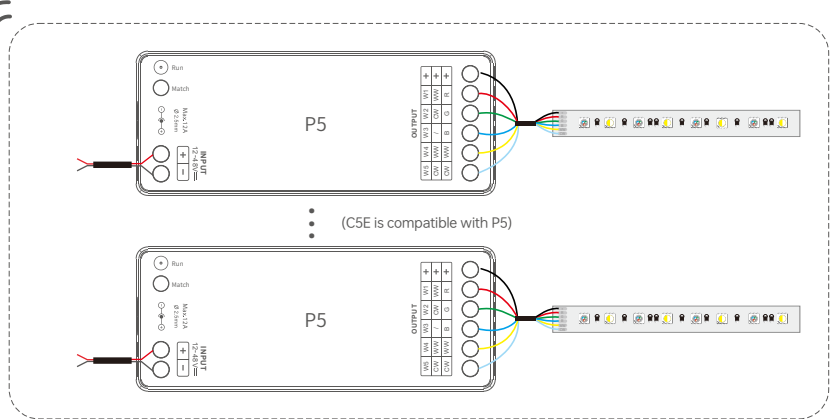
⋮ (C5E is compatible with P5)

3 Zone



⋮ (C5E is compatible with P5)

8 Zone



⋮ (C5E is compatible with P5)

*Compatible with up to 10 remote controls

For use with P-series Controllers

Key pairing code

1. Short press the ID learning button on the controller. The load indicator will flash. Please complete the following steps within 10 seconds.

2. Pairing the remote control:

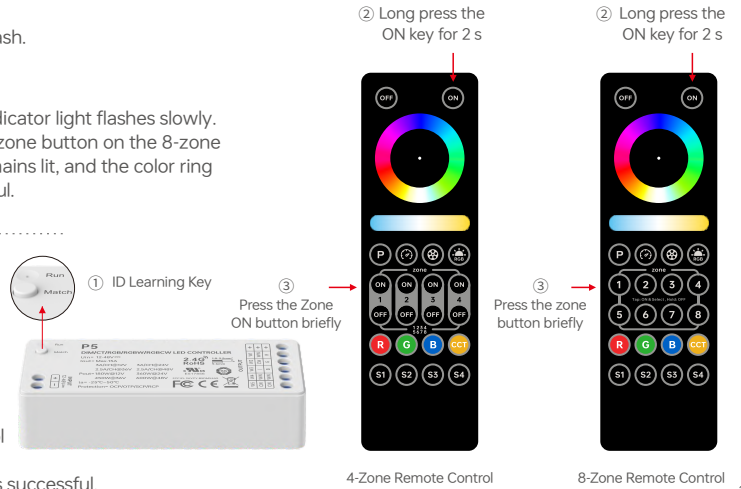
Press and hold the ON button on the remote control for 2 seconds until the indicator light flashes slowly. Then, briefly press the zone ON button on the 4-zone remote control and the zone button on the 8-zone remote control until the controller's load indicator flashes rapidly and then remains lit, and the color ring changes when touched. This indicates that the learning process was successful.

Power-on code pairing

1. After the controller has been powered off and then powered back on, please complete the following steps within 10 seconds.

2. Pairing the remote control:

Press and hold the ON button on the remote control for 2 seconds until the remote's indicator light flashes slowly. Then, short press the zone ON button on the 4-zone remote control or the zone button on the 8-zone remote control until the controller's load indicator flashes rapidly and then remains lit, and the color ring changes when touched. This indicates that the learning process was successful.

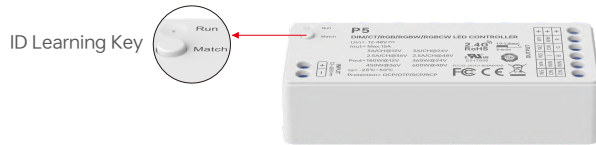


Note: A single controller can pair with up to 10pcs remote controls. If more than 10pcs remote controls are paired, the ID code of the first remote control will be automatically deleted.

Clear code

To delete all remote controls:

Press and hold the controller ID learning button for 6 seconds. The controller load light will flash 4 times quickly and then stay on, indicating successful code clearing.



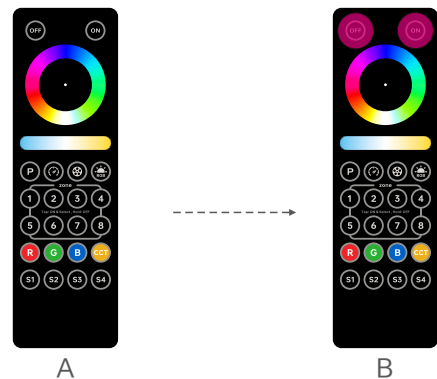
Use the Remote Controls Together

Code pairing (assuming B learns from A)

1. Press and hold the ON and OFF buttons on the top of the remote control simultaneously until the indicator light stays on, then release them.
2. Within 5 seconds, press any button on Remote A; the indicator light on Remote B will turn off, indicating that programming was successful.

*Assuming Remote Control A has already been paired with the controller, if you program Remote Control B to mimic Remote Control A, Remote Control B can be used to control the system directly without needing to be paired with the controller;

*Only remotes of the same model can be programmed to mimic each other.



Clear code

Press and hold the S1 and S4 buttons on the B remote control simultaneously for about 10 seconds; when the indicator light flashes three times, the programmed remote control code will be cleared.



Transportation and Storage

1. Transportation

Products can be shipped via vehicles, boats and planes.

During transportation, products should be protected from rain and sun. Please avoid severe shock and vibration during the loading and unloading process.

2. Storage

The storage conditions should comply with the Class I Environmental Standards. The products that have been stored for more than six months are recommended to be re-inspected and can be used only after they have been qualified.

Attentions

- Please use in a dry indoor environment;
 - When installing the battery, please connect the positive and negative terminal correctly. If the remote will not be used for a long period, take the battery out;
 - When the remote distance is shorten and or the remote doesn't work frequently, please change the battery in time;
 - Please carefully take it and put it down to prevent falls that cause damage;
 - If a fault occurs, please do not attempt to fix products by yourself. If you have any question, please contact your suppliers.
- * This manual is subject to changes without further notice. Product functions depend on the goods. Please feel free to contact our official distributors if you have any question.

Warranty Agreement

- Warranty period: 5 years from the date of manufacture.
- Free repair or replacement services for quality problems are provided within warranty periods.

Warranty exclusions below:

Following conditions are not within the guarantee range of free repairing or replacement services:

- Beyond warranty periods;
- Any artificial damage caused by high voltage, overload, or improper operations;
- Products with severe physical damage;
- Damage caused by natural disasters and force majeure;
- Warranty labels and barcodes have been damaged.
- No any contract signed by our company.

1. Repair or replacement provided is the only remedy for customers. Our company is not liable for any incidental or consequential damage unless it is within the law.

2. Our company has the right to amend or adjust the terms of this warranty, and release in written form shall prevail.

Update Log

Version	Updated Time	Update Conten	Updated by
A0	20260423	Original version	Haipeng Li

RGBCW LED遥控器

- 采用流线型外观与磁吸设计，使用两节 AAA(7号) 电池供电；
- RF2.4G无线传输，信号稳定、抗干扰能力强，支持多区域同步调光；
- 可搭配 P 系列控制器使用；
- 支持分区控制，提供 4 区与 8 区两种控制方式；
- 配备独立开 / 关按键，可实现灯光一键快捷开关；
- 通过触摸色环实现快捷调色，支持独立 R/G/B/CCT 通道控制，调色更精细；
- 预置 9 种动态、7 种静态模式，支持动态模式自定义编程；
- 预置 4 个场景模式，支持快捷调用，同时可通过长按保存自定义场景；
- 一个遥控器可搭配无数个控制器，一个控制器可搭配多达 10 个遥控器；
- 支持控制器群组同步调光。



C5F

C5E

技术参数

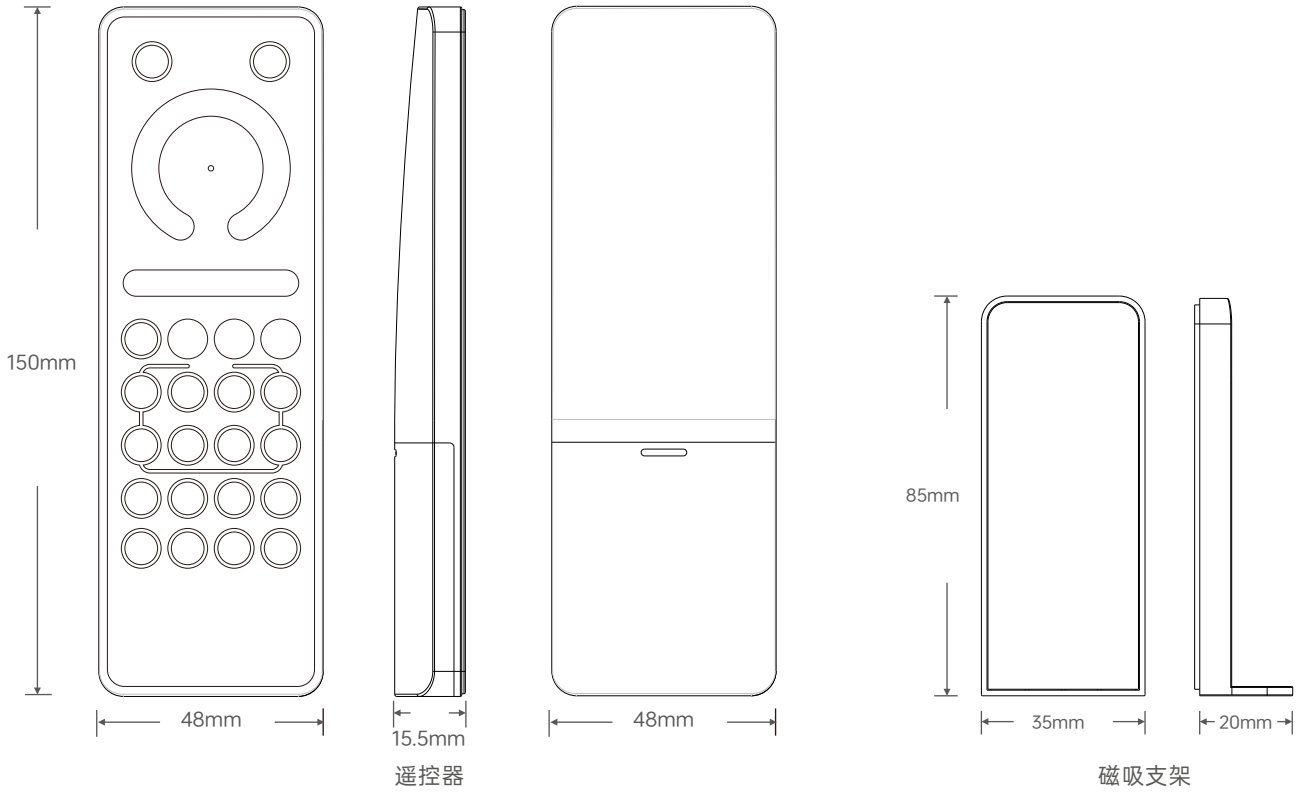
产品型号	C5F	C5E
区域控制	4区	8区
调光类型	RGBCW	
无线类型	RF 2.4GHz	
工作电压	3Vdc, 2×AAA(7号) 注：电池需单独购买	
待机电流	< 5uA	
可搭配使用的控制器	P5	
工作温度	-25°C~50°C	
产品重量	遥控器: 62g; 支架: 12g	
规格尺寸	遥控器: L150 * W48 * H15.5mm; 支架: L85 * W35 * H20mm	



RoHS



结构尺寸

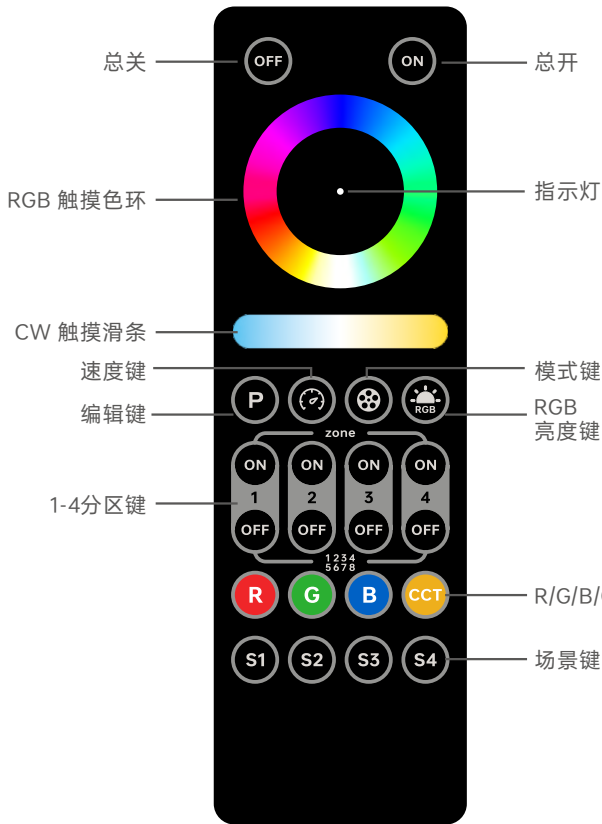


产品安装

- ①打开遥控器电池仓，装入两枚7号电池，注意正负极方向。
- ②撕开附赠双面胶保护膜，将磁吸支架粘贴于墙面并用力按压固定（静置24小时使其牢固贴合，再放置遥控器，防止脱落）。
- ③将遥控器吸附至磁吸支架上，完成安装。



四区按键功能



功能键使用:

- ON键: 短按总开; 长按 2 秒进入配对状态。
- OFF键: 短按总关。
- RGB 触摸色环: 触摸调节选中分区的颜色。
- CW 触摸滑条: 触摸调节选中分区的色温。
- 速度键: 短按调节1-8档速度; 长按递增 / 递减速度, 共8档可调, 默认第5档。
- 编辑键: 短按循环切换动态模式, 长按进入编辑动态模式。
- 模式键: 短按循环切换9种动态模式和7种静态模式, 长按则自动轮播所有动态模式。
- RGB亮度键: 短按开/关 RGB 亮度; 长按连续调节 RGB 亮度。
- R/G/B/CCT键: 短按开启或关闭R/G/B/CCT通道, 长按调节R/G/B/CCT通道亮度。
- 场景键: 短按调用场景; 长按2秒将当前灯光状态保存到场景中且指示灯红色快闪2次。



4分区按键:

- 短按分区ON键选择并打开当前分区的灯光, 短按分区OFF键关闭当前分区灯光。
- 快速连续短按多个分区ON键, 将同时选择多个分区。此时可对已选中分区进行同步控制。(注: 如果重复按下多分区内的任一区, 则仅保留此分区的选择)
- 遥控器睡眠后, 记忆睡眠前的分区选择。

指示灯: 彩色与亮度调节时, 指示灯同步变化。

注: ① 如果按下按键遥控器指示灯不亮, 即可能电池没电, 请及时更换电池。


② 6秒无按键操作, 遥控器将进入睡眠状态, 需按任意键退出睡眠状态。

C5F

编辑模式使用: (选择动态模式→进编辑→依次选色→选择动态效果→保存并退出)

步骤一: 选择模式: 短按模式键 , 选中需要自定义的动态模式。

步骤二: 进编辑: 长按编辑键 , 待指示灯绿色慢闪, 即进入编辑模式。

步骤三: 依次选色: 通过触摸色环或RGB键  选择颜色后, 按底部数字标识1-8键长按暂存当前所选颜色(如右图), 按同样方法选择其它按键颜色(前面若有按键未设置颜色, 则默认为黑色; 颜色按键之后未设置颜色, 则不生效)。

步骤四: 选择动态效果: 短按编辑键 , 可依次为所选颜色切换四种动态效果(渐变、跳变、频闪、渐明渐暗)。

例1:  例2: 

 7色 渐变  2色 跳变

例3:  例4: 

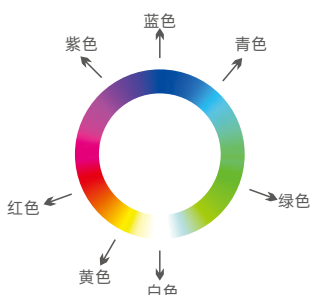
 3色 频闪  3色 渐明渐暗

注: R+B=紫, R+G=黄, G+B=青, R+G+B=白, R/G/B一起关闭=黑色。

步骤五: 保存并退出: 长按编辑键 , 保存当前自定义内容并替换所选动态模式, 同时退出编辑模式且绿色指示灯熄灭。

重置动态模式: 同时长按遥控器“模式键”和“编辑键”约6秒, 指示灯开始绿色呼吸, 直到快闪2次指示灯, 即重置所有动态模式成功。

注: 编辑模式下, 长按模式键退出编辑模式且不保存当前动态效果。



颜色	R/G/B数值
红色	R100% G0% B0%
黄色	R100% G100% B0%
绿色	R0% G100% B0%
青色	R0% G100% B100%
蓝色	R0% G0% B100%
紫色	R100% G0% B100%
白色	R100% G100% B100%

预设动态模式	1	红紫渐变	静态模式	10	纯红
	2	蓝紫渐变		11	纯绿
	3	色温渐变(暖黄、冷白)		12	纯蓝
	4	三色渐变(RGB)		13	纯黄
	5	六色渐变(红绿蓝黄紫青)		14	纯紫
	6	七色渐变(红绿蓝黄紫青白)		15	纯青
	7	七色渐变(红绿蓝黄紫青白)		16	混光白
	8	三色渐明渐暗(RGB)			
	9	白色渐明渐暗			

八区按键功能



功能键使用:

- ON键: 短按总开; 长按 2 秒进入配对状态。
- OFF键: 短按总关。
- RGB 触摸色环: 触摸调节选中分区的颜色。
- CW 触摸滑条: 触摸调节选中分区的色温。
- 速度键: 短按调节1-8档速度; 长按递增 / 递减速度, 共8档可调, 默认第5档。
- 编辑键: 短按循环切换动态模式, 长按进入编辑动态模式。
- 模式键: 短按循环切换9种动态模式和7种静态模式, 长按则自动轮播所有动态模式。
- RGB亮度键: 短按开/关 RGB 亮度; 长按连续调节 RGB 亮度。
- R/G/B/CCT键: 短按开启或关闭R/G/B/CCT通道, 长按调节R/G/B/CCT通道亮度。
- 场景键: 短按调用场景; 长按2秒将当前灯光状态保存到场景中且指示灯红色快闪2次。

8分区按键:

- 短按分区ON键选择并打开当前分区的灯光, 短按分区OFF键关闭当前分区灯光。
- 快速连续短按多个分区ON键, 将同时选择多个分区。此时可对已选中分区进行同步控制。(注: 如果重复按下多分区内的任一区, 则仅保留此分区的选择)
- 遥控器睡眠后, 记忆睡眠前的分区选择。

指示灯: 彩色与亮度调节时, 指示灯同步变化。

注: ① 如果按下按键遥控器指示灯不亮, 即可能电池没电, 请及时更换电池。

② 6秒无按键操作, 遥控器将进入睡眠状态, 需按任意键退出睡眠状态。

C5E

编辑模式使用: (选择动态模式→进入编辑→依次选色→选择动态效果→保存并退出)

步骤一: 选择模式: 短按模式键 , 选中需要自定义的动态模式。

步骤二: 进编辑: 长按编辑键 , 待指示灯绿色慢闪, 即进入编辑模式。

步骤三: 依次选色: 通过触摸色环或RGB键  选择颜色后, 按1-8分区键长按暂存当前所选颜色(如右图), 按同样方法选择其它按键颜色(前面若有按键未设置颜色, 则默认为黑色; 颜色按键之后未设置颜色, 则不生效)。

步骤四: 选择动态效果: 短按编辑键 , 可依次为所选颜色切换四种动态效果(渐变、跳变、频闪、渐明渐暗)。

例1:  例2: 

 7色 渐变

 2色 跳变

例3:  例4: 

 3色 频闪

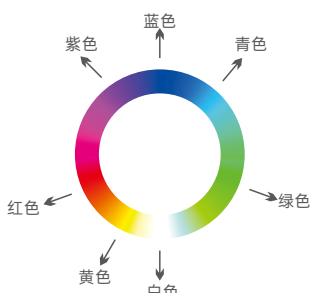
 3色 渐明渐暗

注: R+B=紫, R+G=黄, G+B=青, R+G+B=白, R/G/B一起关闭=黑色。

步骤五: 保存并退出: 长按编辑键 , 保存当前自定义内容并替换所选动态模式, 同时退出编辑模式且绿色指示灯熄灭。

重置动态模式: 同时长按遥控器“模式键”和“编辑键”约6秒, 指示灯开始绿色呼吸, 直到快闪2次指示灯, 即重置所有动态模式成功。

注: 编辑模式下, 长按模式键退出编辑模式且不保存当前动态效果。



颜色	R/G/B数值
红色	R100% G0% B0%
黄色	R100% G100% B0%
绿色	R0% G100% B0%
青色	R0% G100% B100%
蓝色	R0% G0% B100%
紫色	R100% G0% B100%
白色	R100% G100% B100%

预设动态模式	1	红紫渐变	静态模式	10	纯红
	2	蓝紫渐变		11	纯绿
	3	色温渐变(暖黄、冷白)		12	纯蓝
	4	三色渐变(RGB)		13	纯黄
	5	六色渐变(红绿蓝黄紫青)		14	纯紫
	6	七色渐变(红绿蓝黄紫青白)		15	纯青
	7	七色渐变(红绿蓝黄紫青白)		16	混光白
	8	三色渐明渐暗(RGB)			
	9	白色渐明渐暗			

四区遥控器接线示意图

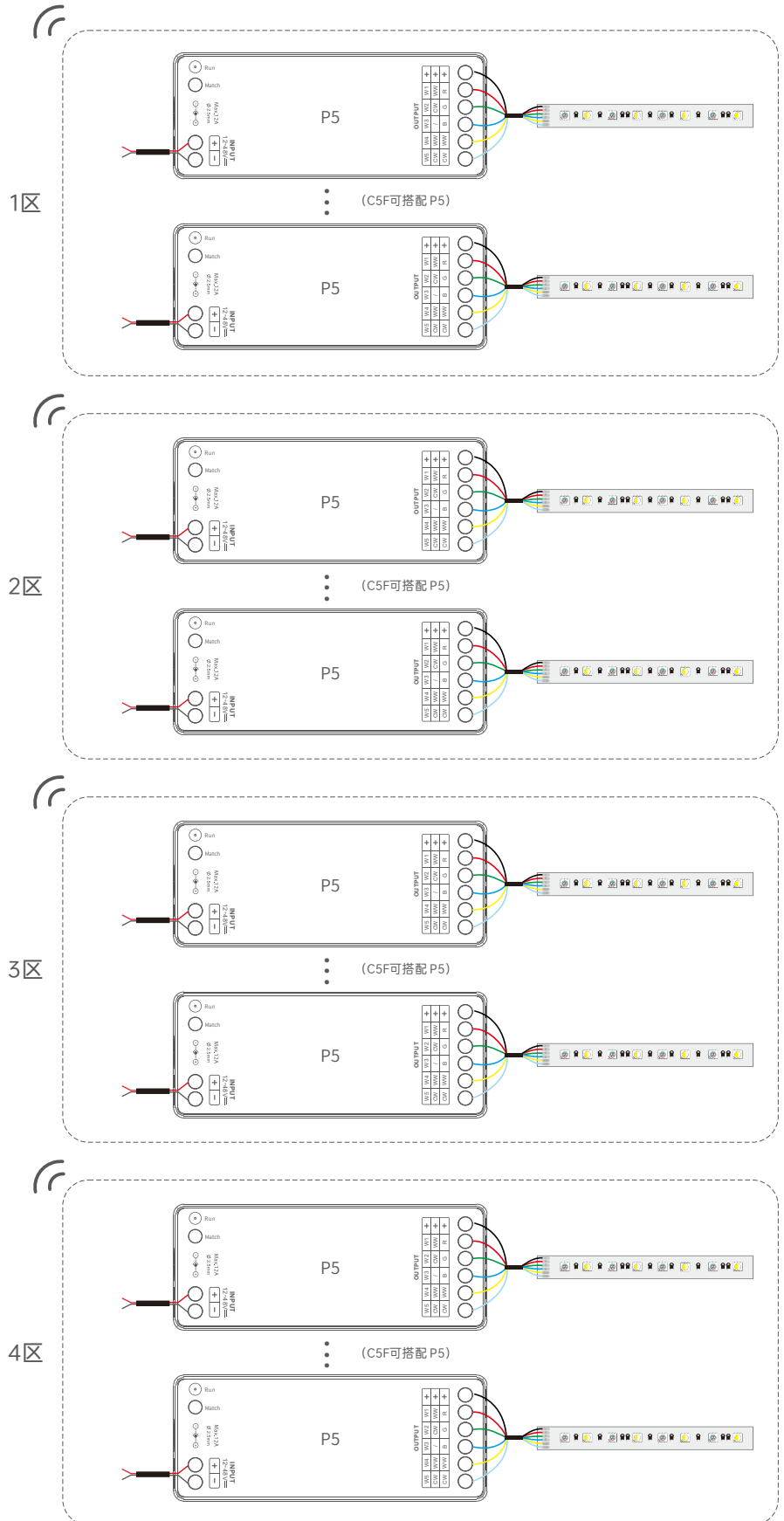


C5F

⋮



C5F



*可搭配多达 10 个遥控器

八区遥控器接线示意图

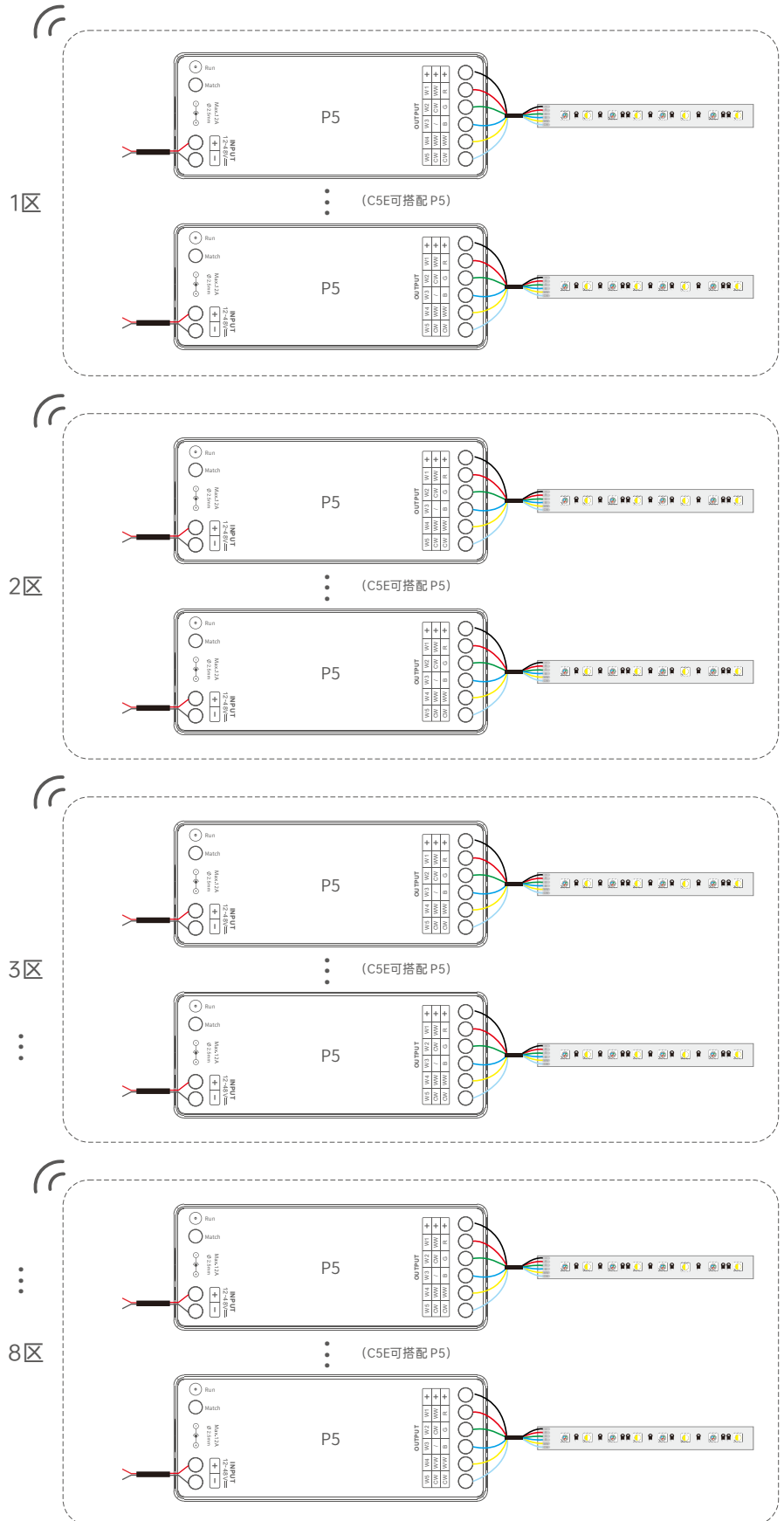


C5E

⋮



C5E



*可搭配多达 10 个遥控器

与P系列控制器搭配使用

按键对码

1.短按控制器的ID学习键，负载灯闪烁，请在10秒内完成以下操作。

2.对码遥控器：

长按遥控器ON键2秒，遥控器指示灯慢闪，再短按四区遥控器分区ON键或八区遥控器分区键，直到控制器负载灯快闪后常亮，且触摸色环有变化，即学习成功。

上电对码

1. 控制器断电后重新上电，请在10秒内完成以下操作。

2.对码遥控器：

长按遥控器ON键2秒，遥控器指示灯慢闪，再短按四区遥控器分区ON键或八区遥控器分区键，直到控制器负载灯快闪后常亮，且触摸色环有变化，即学习成功。



注：一台控制器最多可配对10个遥控器，配对超过10个遥控器将会自动删除最前面的遥控器ID码。

清码

删除全部遥控器方法：

长按控制器ID学习键6秒，控制器负载灯快闪4次后常亮，清码成功。



遥控器之间搭配使用

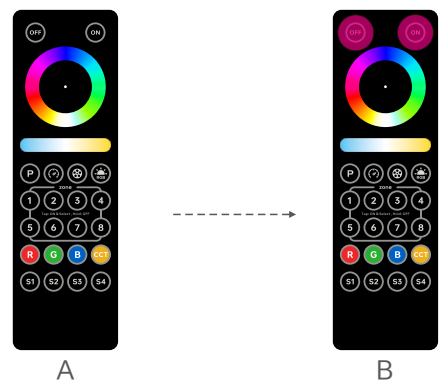
对码（假设B学习A）

1.同时按住遥控器顶部的ON、OFF键，直至指示灯常亮后松开。

2.在5秒内按下A遥控器的任意键，B遥控器指示灯灭，学习成功。

*假设A遥控器已经与控制器配对使用，再用B遥控器学习A遥控器，那B遥控器无需再与对应控制器配对便可直接控制使用；

*同型号遥控器才能互学。



清码

同时长按B遥控器S1键和S4键约10s，指示灯快闪3次即清除所学的遥控器码。



运输和贮存

1. 运输

产品适用车、船、飞机交通运输工具运输。

在运输中，应使用遮蓬进行防雨和防晒，并保持文明装卸，不应有剧烈振动、撞击等。

2. 贮存

贮存符合 I 类环境的规定。贮存期限超过6个月的产品建议重新检验，合格后方可使用。

微功率设备使用说明

- (1) 本产品使用的 RF2.4GHz 技术符合“微功率短距离无线电发射设备目录和技术要求”的具体条款和使用场景，采用的天线类型和性能，控制、调整及开关等使用方法；
- (2) 不得擅自改变使用场景或使用条件、扩大发射频率范围、加大发射功率（包括额外加装射频功率放大器），不得擅自更改发射天线；
- (3) 不得对其他合法的无线电台（站）产生有害干扰，也不得提出免受有害干扰保护；
- (4) 应当承受辐射射频能量的工业、科学及医疗（ISM）应用设备的干扰或其他合法的无线电台（站）干扰；
- (5) 如对其他合法的无线电台（站）产生有害干扰时，应立即停止使用，并采取措施消除干扰后方可继续使用；
- (6) 在航空器内和依据法律法规、国家有关规定、标准划设的射电天文台、气象雷达站、卫星地球站（含测控、测距、接收、导航站）等军民用无线电台（站）、机场等的电磁环境保护区域内使用微功率设备，应当遵守电磁环境保护及相关行业主管部门的规定；
- (7) 禁止在以机场跑道中心点为圆心、半径5000米的区域内使用各类模型遥控器；
- (8) 微功率设备使用时运行的环境条件:运行温度为-25℃~50℃和额定电压为3Vdc。

注意事项

- 限室内与干燥环境使用；
 - 安装电池时，注意电池的正负极，长时间不使用遥控器，请取出电池；
 - 当遥控距离变小或遥控频繁失效时，请及时更换电池；
 - 应轻拿轻放，避免跌落造成损坏；
 - 如果发生故障，请勿私自维修；如有疑问，请联系供应商。
- * 本说明书的内容如有变更，恕不另行通知。若内容与您使用的功能有所不同，则以实物为准。如有疑问，请与供应商联系。

保修条例

- 自出厂之日起保修服务期为5年。
- 在保修服务期内出现产品质量问题我司将给予免费修理或更换服务。

非保修条例：

属下列情况不在免费保修或更换服务范围之内：

- 已经超出保修服务期；
- 过高电压、超负载、操作不当等人为造成的损坏；
- 产品外形严重损坏或变形；
- 自然灾害以及人力不可抗拒原因造成的损坏；
- 产品保修标签和产品唯一条形码损坏；
- 无我司签订的合同或发票凭证。

1. 修理或更换是我司对客户唯一补救措施。我司不承担任何附带引起的损害赔偿，除非在适用法律范围之内。
2. 我司享有修正或调整本保修条款的权利，并以书面形式发布为准。

更新日志

版本	更改日期	更改内容	更改人
A0	20260423	正稿	黎海鹏